

Industrial Explosion-proof Scanner

X26-E

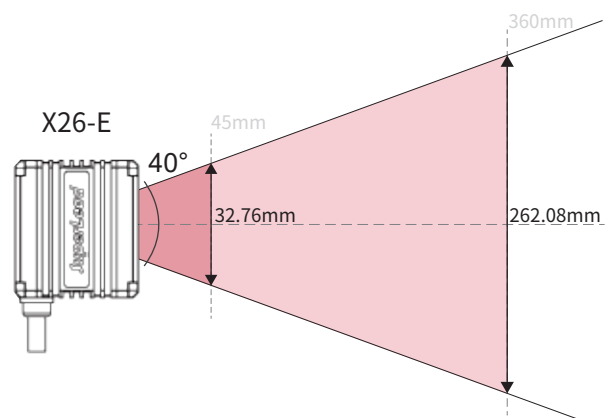


GENERAL FEATURES

- The most compact in industry
- Decode DPM,super-tiny barcodes ect
- Lots of modularised spare parts for complicated applications
- Full ESD protection,IP65,enduring tough environment
- New generation “Superscan”image decoding technology
- Different indicator lights for adjustment and status display



model	remote	proximal end
X26-E	C128 3.15mil 45mm	C128 10.15mil 360mm



X26-E

Specifications

Physical Characteristics

Dimensions:	36mm x 40mm x 22mm
Weight:	90g
Voltage/Current:	5-36VDC/2.5W max

Performance Characteristics

Image(Pixels):	1280 pixels(H) x 1080 pixels(V)
Light Source:	High-light red/blue/white light source
Field Of View:	39°(H)x33°(V)
External Input:	2 ways of optical-electric isolation input, connect NPN / PNP / relays
External Output:	2 ways of optical-electric isolation output
Working Distance:	C128 3mil 45mm-working environment C128 13mil 500mm
Interfaces Supported:	RS232,RS485,USB,Ethernet,Support SuperLink Networking
Motion Tolerances:	Continuous sweep mode:2m/s;Turbo mode:6m/s
Decode Capability:	1D: Code 128,Code 39,Code 93,Interleaved 2 of 5,Industrial 2 of 5, JAN/EAN/UPC
	2D: QR,Data Matrix,PDF417,Aztec

User Environment

Operating Temperature:	0°C to 50°C
Storage Temperature:	-20°C to 70°C
ESD Protection:	Contact discharge 15KV,Coupling discharge 20KV+
Shock Specifications:	Designed to withstand 1.2m drops
Ambient Light Immunity:	100,000 Lux.
Enclosure Protection:	IP65
Shell Material:	kirsite

Decode Ranges

C128 (3.15 mil):	47mm-110mm	DM1.5mm (3.40 mil):	59mm-63mm
C128 (5.15 mil):	38mm-190mm	DM2mm (4.40 mil):	45mm-75mm
C128 (8 mil):	33mm-352mm	DM3mm (6.65 mil):	40mm-93mm
C128 (10.15 mil):	45mm-383mm	DM3mm (8.90 mil):	35mm-240mm
C128 (20 mil):	86mm-650mm	DM3mm (11.15 mil):	33mm-245mm



Suzhou SuperMax Smart System Co.,Ltd.

TEL:400-850-8151

E-MAIL:sales@superlead.com

WEB: www.isuperlead.com

ADD: Building 57,No.2 Dongfu Road,Suzhou
Industrial Park,Jiangsu,China.

